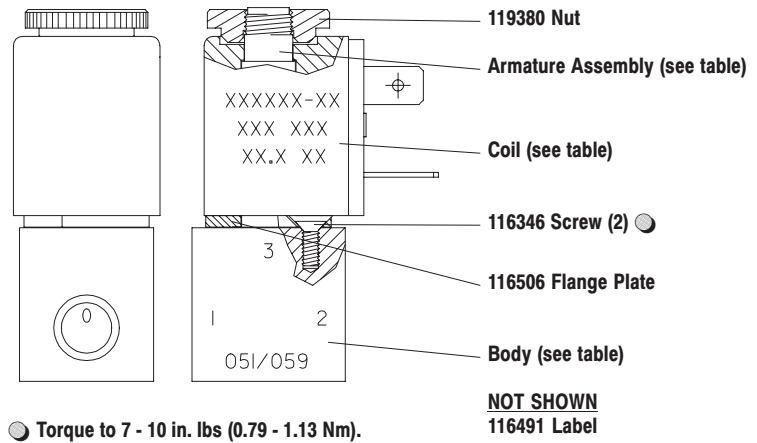


CAT SERIES SOLENOID VALVES

RELEASED: 1-7-87
 REVISED: 1-20-05
 (REV. 04)

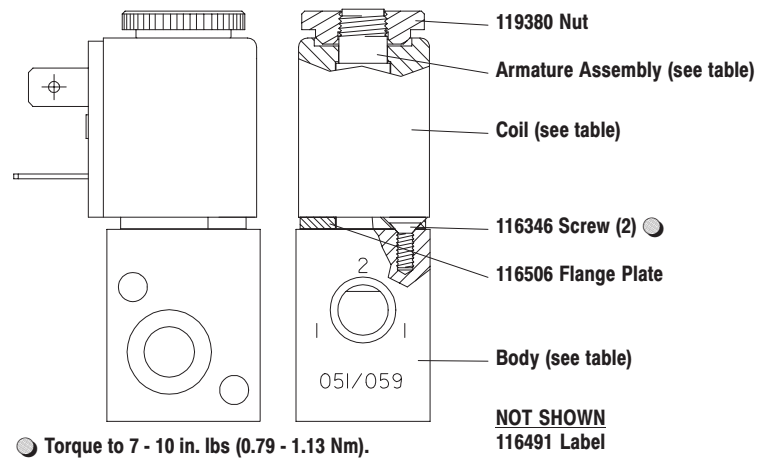
3-WAY, NORMALLY CLOSED (NON-PASSING), 1/8 - 27 PIPE PORTS, PORTED BODY.

MODEL	COIL	ARMATURE	BODY
CAT33P-000-N	NONE	116507	116540
CAT33P-012-A	116218-31	116507	116540
CAT33P-024-A	116218-38	116507	116540
CAT33P-120-A	116218-33	116507	116540
CAT33P-240-A	116218-35	116507	116540
CAT33P-380-A	116218-42	116507	116540
CAT33P-005-D	116218-37	116507	116540
CAT33P-012-D	116218-38	116507	116540
CAT33P-024-D	116218-39	116507	116540
CAT33P-120-D	116218-35	116507	116540
CAT33P-000-M	NONE	115065	119700
CAT33P-005-L	115064-37	115065	119700
CAT33P-012-L	115064-38	115065	119700
CAT33P-024-L	115064-39	115065	119700



3-WAY, NORMALLY CLOSED (NON-PASSING), 1/8 - 27 PIPE PORTS, STACK BODY.

MODEL	COIL	ARMATURE	BODY
CAT33S-000-N	NONE	116507	116541
CAT33S-012-A	116218-31	116507	116541
CAT33S-024-A	116218-38	116507	116541
CAT33S-120-A	116218-33	116507	116541
CAT33S-240-A	116218-35	116507	116541
CAT33S-380-A	116218-42	116507	116541
CAT33S-005-D	116218-37	116507	116541
CAT33S-012-D	116218-38	116507	116541
CAT33S-024-D	116218-39	116507	116541
CAT33S-120-D	116218-35	116507	116541
CAT33S-000-M	NONE	115065	119701
CAT33S-005-L	115064-37	115065	119701
CAT33S-012-L	115064-38	115065	119701
CAT33S-024-L	115064-39	115065	119701

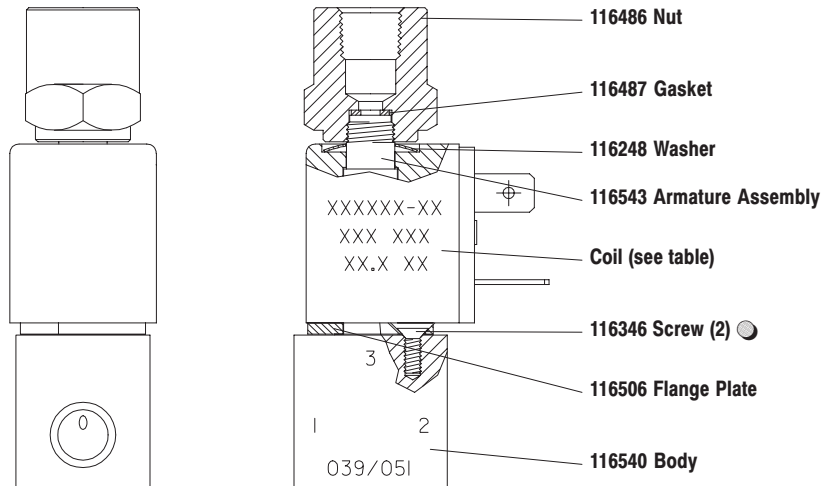


3-WAY, NORMALLY OPEN (PASSING), 1/8 - 27 PIPE PORTS, PORTED BODY.

MODEL	COIL
CAT44P-000-N	NONE
CAT44P-012-A	116218-31
CAT44P-024-A	116218-38
CAT44P-120-A	116218-33
CAT44P-240-A	116218-35
CAT44P-380-A	116218-42
CAT44P-005-D	116218-37
CAT44P-012-D	116218-38
CAT44P-024-D	116218-39
CAT44P-120-D	116218-35

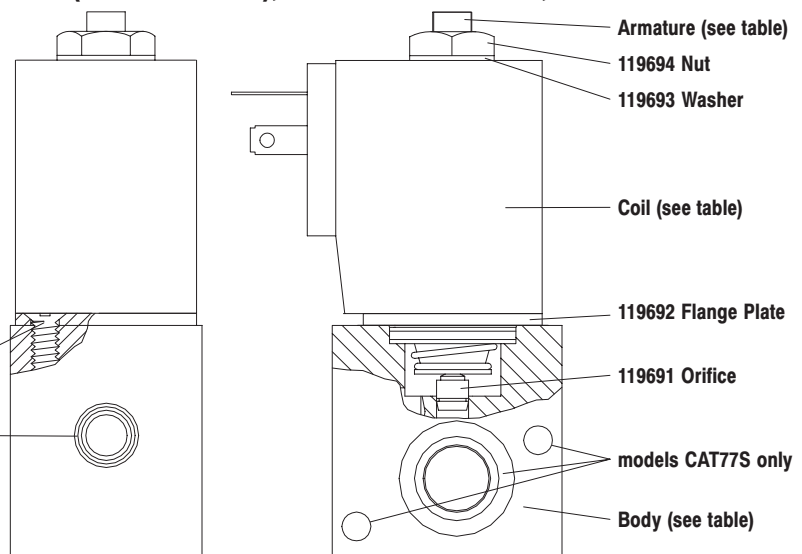
NOT SHOWN
116491 Label

● Torque to 7 - 10 in. lbs (0.79 - 1.13 Nm).



CAT66P-(-)-(-): 3-WAY, NORMALLY CLOSED (NON-PASSING), 1/4 - 18 PIPE PORTS, PORTED BODY.
CAT77S-(-)-(-): 3-WAY, NORMALLY CLOSED (NON-PASSING), 1/4 - 18 PIPE PORTS, STACK BODY.

MODEL	COIL	BODY	ARMATURE
CAT66P-000-N	NONE	119687	119696
CAT66P-120-A	119690-33	119687	119696
CAT66P-012-D	119690-38	119687	119696
CAT66P-024-D	119690-39	119687	119696
CAT66P-024-L	114825-39	114823	114826
CAT77S-000-N	NONE	119688	119696
CAT77S-120-A	119690-33	119688	119696
CAT77S-012-D	119690-38	119688	119696
CAT77S-024-D	119690-39	119688	119696
CAT77S-024-L	114825-39	114824	114826

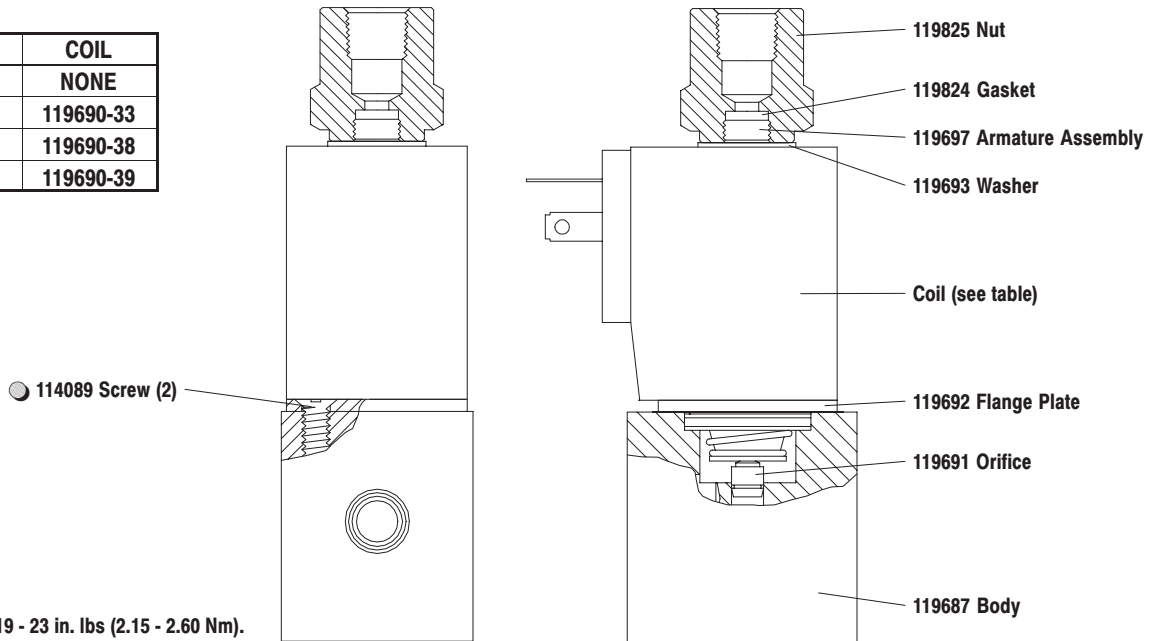


NOT SHOWN
116491 Label

Torque to 19 - 23 in. lbs (2.15 - 2.60 Nm).

3-WAY, NORMALLY OPEN (PASSING), 1/4 - 18 PIPE PORTS, PORTED BODY.

MODEL	COIL
CAT88P-000-N	NONE
CAT88P-120-A	119690-33
CAT88P-012-D	119690-38
CAT88P-024-D	119690-39



NOT SHOWN
116491 Label

Torque to 19 - 23 in. lbs (2.15 - 2.60 Nm).

CAT XX B - XXX - X

Number of stations
Voltage
Current

MODEL	CURRENT	COIL	VALVE SYSTEM
CATXXB-XXX-A	AC	116218-XX	114102
CATXXB-XXX-B	AC	116647-XX	114102
CATXXB-XXX-C	AC	115046-XX	114102
CATXXB-XXX-D	DC	116218-XX	114102
CATXXB-XXX-E	DC	116647-XX	114102
CATXXB-XXX-F	DC	115046-XX	114102
CATXXB-XXX-G	AC	118154-XX	114102
CATXXB-XXX-K	DC	118154-XX	114102
CATXXB-XXX-L	DC	115064-XX	114129
CATXXB-000-M		NONE	114129
CATXXB-000-N		NONE	114102

